

DENSO

BAR CODE HANDY TERMINAL
BHT-7500/7500W



DENSO

FEATURES

High speed RF communication by IEEE 802.11b (BHT-7500W)

- Max. 11Mbps (able to select speeds ranging from 1Mbps - 11Mbps)

Standard protocol (BHT-7500W)

- TCP/IP compliance
- File transmission available by FTP

Large LCD display

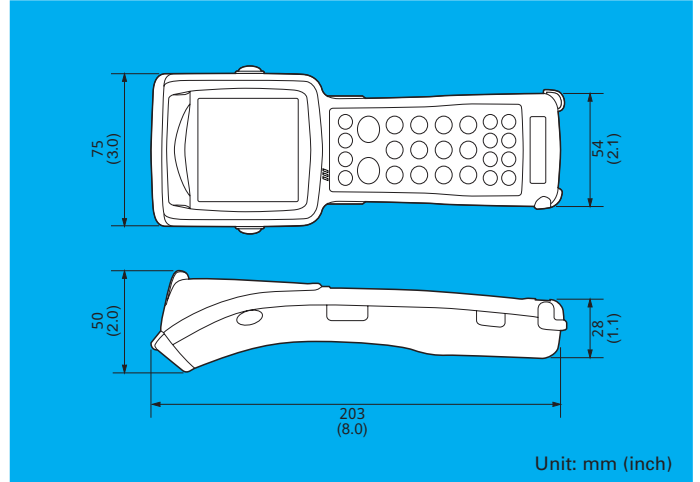
- Max. 26 char. x 26 lines in alphanumeric

Large size memory

High performance laser scanner

Vibrator

DIMENSIONS

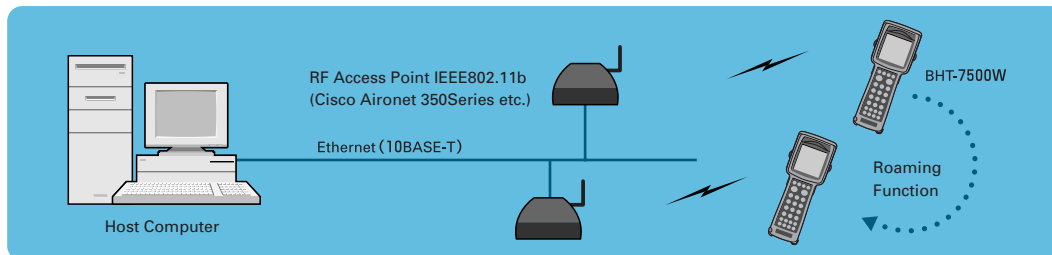


SPECIFICATIONS

		BHT-7500/7500W	
Controller	CPU	32-bit RISC	
	Memory	8.5 MB (user's area: 6.5 MB)	
Display	Resolution	160 x 159 dots	
	Display device	FSTN liquid crystal display	
	Capability	Alphanumerics	(standard) 26 char x 20 lines (small) 26 char x 26 lines
		Kanji (standard)	(full width) 10 char x 10 lines (half width) 20 char x 10 lines
		Kanji (small)	(full width) 13 char x 13 lines (half) 26 char x 13 lines
Kanji (double width)		(full width) 6 char x 13 lines (half width) 13 char x 13 lines	
Back light	Yes (EL)		
Scanner	Pointer	Semi conductor laser	
	Scanning area	520 mm (2.0 inch) <reading distance 560 mm (2.2 inch) at narrow width 1.4 mm>	
	Readable codes	EAN-13/-18, UPC-A/-E, UPC/EAN with supplemental code, Codabar, CODE39, ITF, CODE128, STF, CODE93, EAN-128	
	Resolution	0.127 mm (PCS=0.9 min.)	
	Reading confirmation on LED	Red, green 2 color LED, buzzer, vibrator	
Keypad	Number of keys	30 keys (incl. power key)+ 2 Magic keys + 2 Trigger keys	
Communication	Optical I/F	System	Infra-red (IrDA-SIR1.0 compliant)
		Speed	115.2 kbps MAX
		Distance	Approx. 0.8 m (2.6 ft.) MAX
	RF I/F for BHT-7500W	Certificate	IEEE 802.11b
		Frequency	2.4 GHz Range
		Distance*	Indoor : approx. 75 m (246 ft.) Outdoor : approx. 210 m (689 ft.)
		Modulation	Spread Spectrum (Direct Sequence)
Speed*	11/5.5/2/1 Mbps (range of selectable speeds)		
Cable I/F		RS-232C, 115.2 kbps MAX	
Power Supply	Main battery	Lithium-ion battery cartridge	
Auxiliary Functions		Clock, buzzer, resume function, voltage display, remote wakeup	
Weight		BHT-7500 approx. 280 g (9.9 oz), BHT-7500W approx. 310 g (10.9 oz)	
Environmental Requirements	Operating temperature	-5°C~50°C	
	Drip-Proof	JIS Proof Type II	

* Communication distance and speed depend on operating environment

Application example



- Appearance and specifications are subject to change without prior notice.

Accessories

- Hand Strap
- Lithium-ion Battery Cartridge B-70L
- BHT-7500/7500W Operator's Guide

Options (sold separately)

- Optical Charging Communication Unit CU-7001
- Optical Communication Unit CU-7002
- Lithium-ion Battery Charger C-700
- BHT-7500/7500W User's Manual

Software (sold separately)

Conventional software for BHT series applicable

- BHT-BASIC 3.5 Compiler
- Ir-Transfer Utility C/E

CAUTION
 LASER LIGHT-DO NOT STARE INTO BEAM
 1mW MAXIMUM OUTPUT ; 650nm LASER
 CLASS II LASER PRODUCT
 THIS DEVICE COMPLIES WITH 21 CFR CHAPTER 1, SUBCHAPTER J.